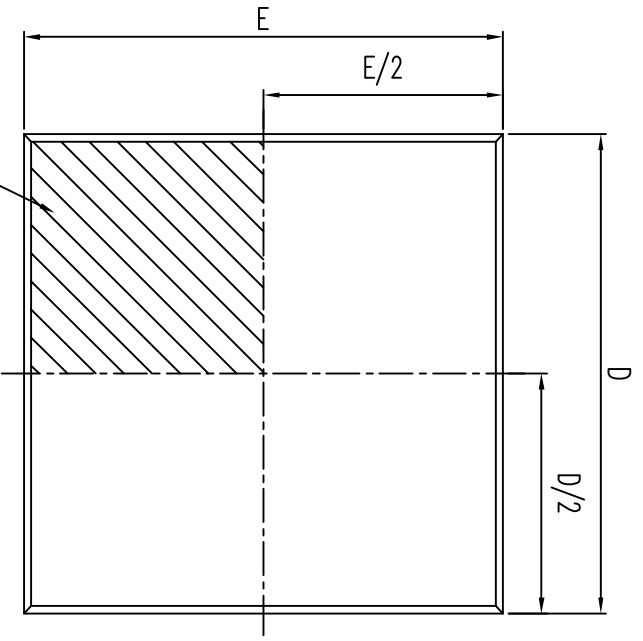
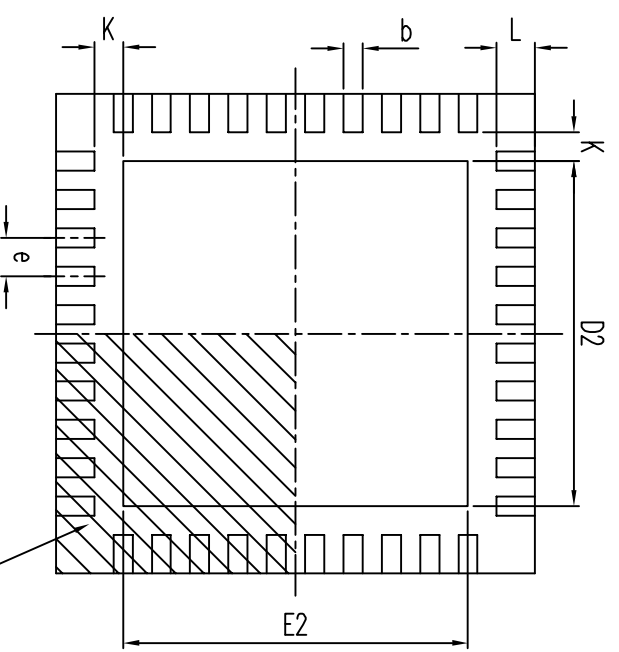


REV.	DESCRIPTION	BY	DATE
ORIG.	DRAWING ISSUE	SANDY CHEN	06.19.2014

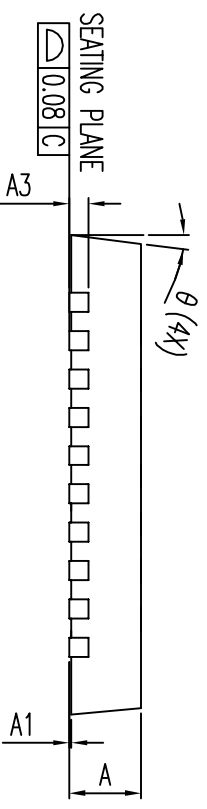
TOP VIEW



BOTTOM VIEW



SYMBOL	DIMENSION IN MM		
	MIN.	NOM.	MAX.
A	0.70	0.75	0.80
A1	0	0.02	0.05
A3	0.20 REF.		
D	5.00 BASIC		
D2	3.45	3.60	3.75
E	5.00 BASIC		
E2	3.45	3.60	3.75
e	0.40 BASIC		
b	0.15	0.20	0.25
L	0.30	0.40	0.50
K	0.20		
θ	0°		14°
JEDEC	MO-220 (Variation WHHE-1)		



SIDE VIEW

CWT Chant World Technology Inc.		<input type="checkbox"/>	
TITLE WORN 40L PACKAGE OUTLINE		XXXXXX ±0.005	ANGULAR ±
BODY SIZE : 5 X 5 MM		XXXXX ±0.035	ROUGH-
		XXX ±0.1	NESS
		XX ±0.2	SCALE 18 : 1
DESIGNED	SANDY CHEN 06.19.2014	UNIT	QTY
CHECKED	SANDY CHEN 06.19.2014	FILE NAME :	WORN40L(5x5x0.75) A3
APPROVED	SANDY CHEN 06.19.2014	DWG. NO.:	CW-PT-005A